



LTP-350 MicroPress™ Miniature Press Specifications



Figure 1
LTP-350 MicroPress

DESCRIPTION

The LTP-350 MicroPress™ is a miniature pneumatic press designed for the curing of SMC, BMC, epoxies, polyesters, polystyrenes, polyurethanes, silicones, laminates and other polymeric materials. Providing a portable, easily operated platform to reproduce the time-temperature-pressure processing profiles of most polymers, the LTP-350 MicroPress™ has independent temperature control of both upper and lower platens and can operate in either isothermal or ramp-and-hold modes. The heating temperature range is ambient to 350 °C (660 °F), and maximum applied force is 2000 pounds (909 Kg). The standard platen area is 3.0" x 3.0" (75 cm x 75 cm).

The LTP-350 Micro-Press™ can be controlled manually or with the Lambient Technologies™ CureView™ software. When used with any of the Lambient Technologies™ dielectric sensors, the LTP-350 Micro-Press™ becomes a complete testing station for dielectric cure studies.

SPECIFICATIONS

Cylinder diameter: 5" (125 cm)

Maximum input air pressure: 120 psi

Maximum applied force: 2000 pounds (909 Kg)

Pneumatic connection: Nylon or polyurethane tubing 10 mm O.D., 1.5 mm wall thickness, rated for 8.25 bar (120 psi)

Stroke (max. platen separation) : 4.5" (11.4 cm) without Ceramicomb™ sensor plate, approximately 3.25 " (8.9 cm) with sensor plate

Platen dimensions: 3" x 3" (75 cm x 75 cm)

Press dimensions (H x W x D): 28.3" x 17.4" x 19.0 " (71.9 cm x 44.2 cm x 48.3 cm)

Press weight: 80 lbs. (36 Kg)

Water connection: None

Cooling: Ambient cooling or optional cooling plate with circulating water

Working temperature: ambient to 350 °C (660 °F)

Thermocouples: Type J, one in each platen

Total heater power: 450 W (225 W/platen)

Press voltage: 120 or 240 VAC, 50-60 Hz (specify mains voltage when ordering)

Press current: 4.1 A at 120 VAC, 2.0 at 220 VAC

Controller voltage: 120 or 240 VAC, 50-60 Hz (specify mains voltage when ordering)

Controller communications: RS-485, USB with adapter

Features:

Independent isothermal temperature mode for each platen

Ramp and hold mode

Temperature controller detachable for convenient servicing.



Lambient Technologies L.L.C.

209 Newbury Street, 3rd Floor, Boston, MA 02116, USA

(617) 266-2837

<http://www.lambient.com>

info@lambient.com

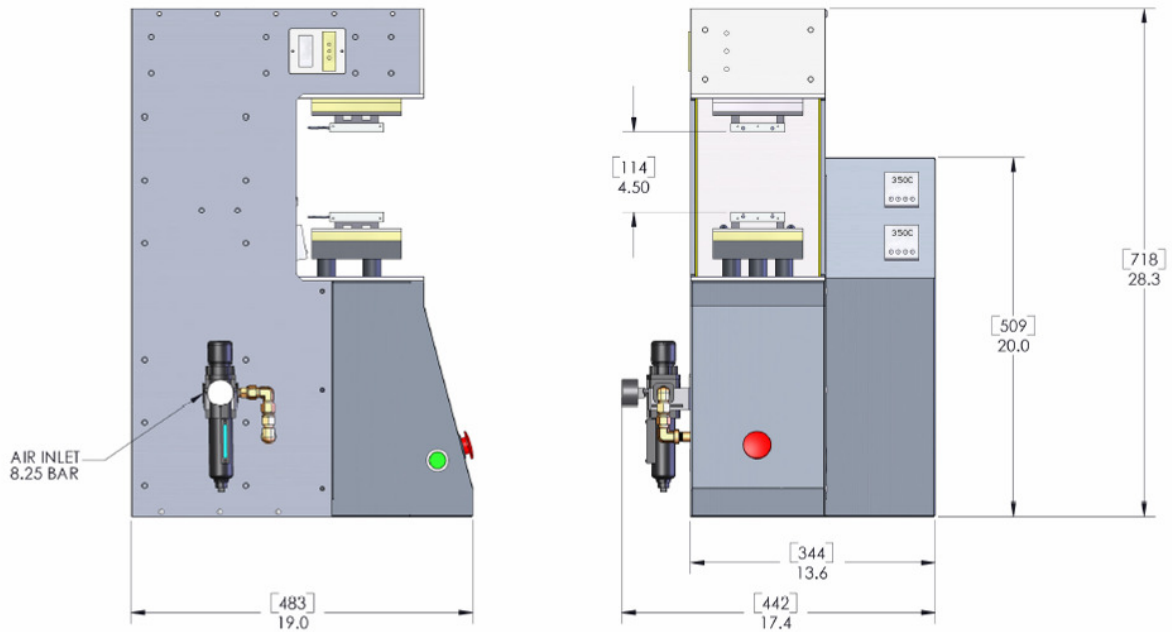


Figure 1
Dimensions of the LTP-350 MicroPress™



Lambient Technologies L.L.C.
209 Newbury Street, 3rd Floor, Boston, MA 02116, USA
(617) 266-2837
<http://www.lambient.com>
info@lambient.com